

# ReUp

Reimagine. Renew. ReUp.

---

*catalogue*



versalis

# Reup

Reimagine. Renew. ReUp.

# REIMAGINE THE FUTURE

Strong, lightweight, versatile. Plastic is a unique material. Ever since it was first marketed, plastic has forever changed our habits and tastes. Its potential provides countless solutions capable of embodying the ideas of designers from all over the world.

Today, plastic is also more environmentally sustainable.

ReUp® is the Italian brand that transforms plastic, entirely or partially derived from renewable sources or recycling, into a material destined to continue a story in which new technology helps designers to create furnishings that add a stylish and practical touch to both current and future living space.

The result of a 100% Italian supply chain using chemical and technological processes to create innovative, more environmentally sustainable solutions, ReUp® is a novel way of looking at plastic, of using it and experiencing it.

# FEATU- RES AND BE- NEFITS —

MATERIALS CHEMISTRY AND TECHNOLOGY EXPERTISE ENABLES ReUp® TO OFFER A WIDE RANGE OF EXTREMELY-VERSATILE, HIGH-PERFORMANCE PRODUCTS THAT MEET THE VARIOUS REQUIREMENTS OF DESIGN SPECIALISTS IN AN EFFICIENT, SPECIFIC AND MORE ENVIRONMENTALLY-SUSTAINABLE MANNER.

# ReUp

Reimagine. Renew. ReUp.

Features of ReUp® plastics include:



## *Commitment to greater environmental sustainability*

In keeping with circular economy principles, all materials are made from plastic entirely or partially derived from renewable sources or recycling.



## *Flexibility*

Readily adaptable to any project without restricting designer creativity.



## *Resistance*

Offering high performance as regards sturdiness, impact strength, wear and tear.



## *Colour*

The raw material is supplied in a vast range of solid and pastel colours, both matt and gloss.



## *Finish*

A huge range of finishes and textures are available, offering designers countless creative possibilities.



## *Lightness*

They can be supplied as bags or sheets of lower weight than other materials used in the design sector.



## *Safety*

Guaranteed by specific sustainability certification, such as ISCC PLUS (International Sustainability & Carbon Certification) for Balance® products and Plastica Seconda Vita (PSV or second life plastic) for Versalis Revive® products.

*More environmentally sustainable furnishings, bespoke design*



ReUp® works with designers and businesses to develop customised furnishing solutions specifically designed to address customer requirements with a particular focus on environmental sustainability issues. The ReUp® team assists the customer throughout the process: from careful choice of materials to technical design and prototype development, guaranteeing an end result that combines aesthetics, quality and improved environmental sustainability.

For further details, the e-mail address is [info.reup@versalis.eni.com](mailto:info.reup@versalis.eni.com)

# HOME

FEATURING MINIMALIST LINES, NATURAL SURFACES AND FINISHES THAT ENHANCE MATERIAL QUALITY, HOME FURNISHINGS ARE BECOMING AN INCREASINGLY IMPORTANT PART OF OUR LIVING SPACE. STYLISH MATERIAL TEXTURES AND COLOURS SCHEMES ARE CHOSEN TO CREATE A LIVELY, YET RELAXING, AMBIENCE IN WHICH TO ENJOY MOMENTS OF PLEASURE BASED ON A MORE CONSCIOUS AND SUSTAINABLE WAY OF LIFE.

Our home furnishings range offers a modern take on striking the right balance between design, innovation and commitment to greater environmental sustainability.

Every component is designed to ensure quality, strength and versatility, adding a touch of originality and character to every setting: from kitchen and bathroom to lounge and bedroom.

Available in a range of finishes, our lamps enhance the domestic setting with solutions that add style to a green mindset.





10

**Duse Balance® SAN**  
table lamp.



11

30s - Satin white

**Duse Balance® SAN** table lamp with E14 light fitting.



97 - Teal green

10s - Satin black

56s - Satin gold

Power: 16W  
Luminous Flux: 360 lm

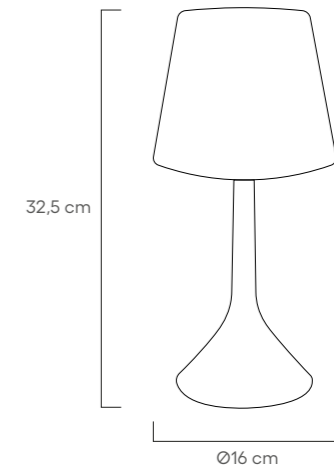
CCT: 1800K - 3000K



**Duse** Balance® SAN cordless table lamp.



30s - Satin white



**Duse** Balance® SAN cordless table lamp.  
Inductive charging and dimmable bulb.



97 - Teal green



10s - Satin black



56s - Satin gold

Power: 16W  
Luminous Flux: 725 lm

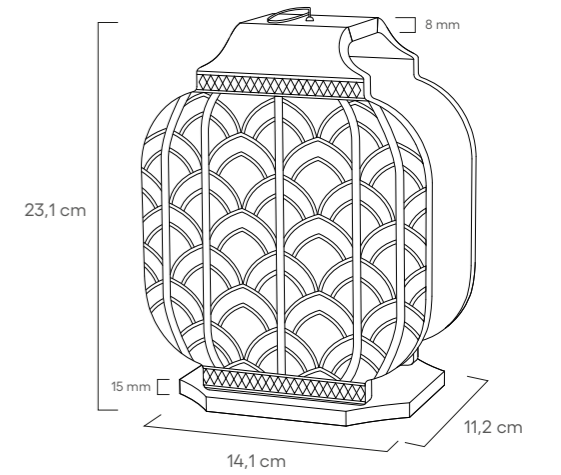
CCT: 4000K  
dim to warm CRI=90



**Atena** PMMA table lamp  
with Balance® ABS base.



29 - Ivory



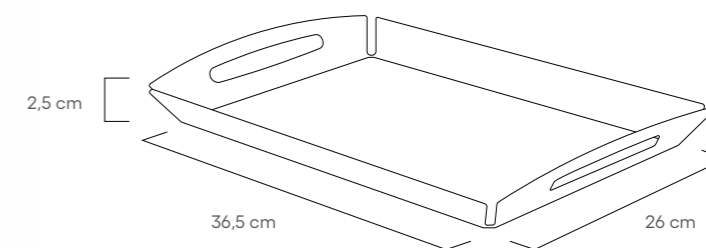
Atena PMMA table lamp  
with Balance® ABS base.  
Inductive charging and dimmable bulb.

Power: 16W  
Luminous Flux: 725 lm

CCT: Led Natural White 4200K  
24 volt - 12 W/M  
dim to warm CRI=90



**Vestalia** Balance® SAN tray  
with customisable artwork.



00 - Clear

**Vestalia** Balance® SAN tray  
with customisable artwork.



Balance® SAN (styrene acrylonitrile) is a polymer often used to manufacture designer and home décor items due to its dimensional stability, scratch resistance and stylish appearance. This versatile material produces lightweight items with a matt finish.

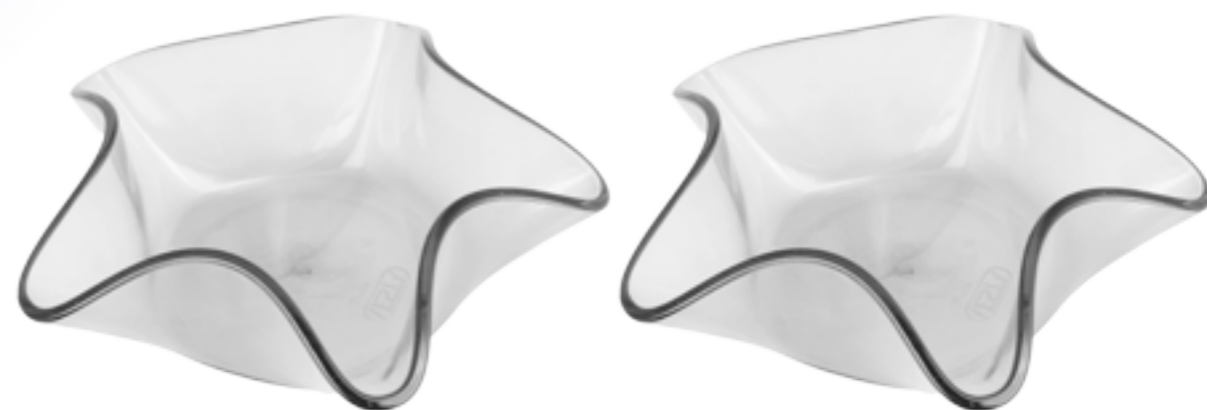
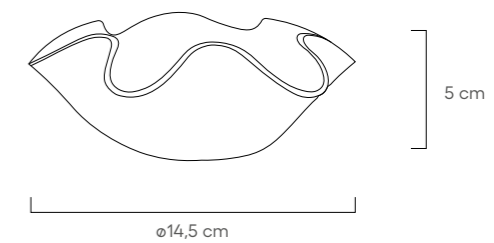
Its uniform colour and surface finish make it ideal for contemporary, minimalist objects.



Please scan the QR code  
for more details about  
Balance® products.



Balance® SAN bowls.



00 - Clear

Set of 2 Balance® SAN bowls.



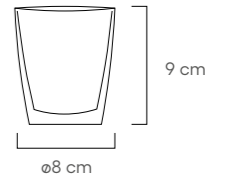
Balance® SAN tumbler range.



**Short Balance® SAN tumblers.**  
Size: diameter 8 cm, height 9 cm



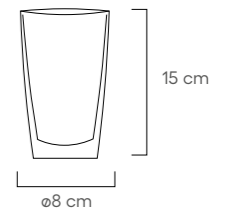
Set of 6 clear or coloured tumblers.



**Tall Balance® SAN tumblers.**  
Size: diameter 8 cm, height 15 cm



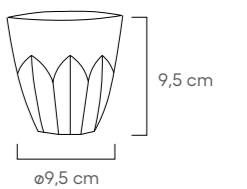
Set of 6 clear or coloured tumblers.



**Ankon Balance® SAN tumblers.**  
Size: diameter 9.5 cm, height 9.5 cm



Set of 6 clear or coloured tumblers.



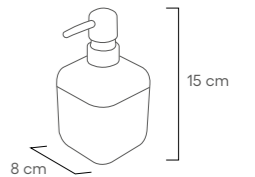


Balance® SAN bathroom range.

NCS S0502-B VR  
traffic white

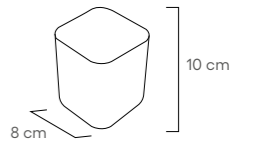
**Balance® SAN soap dispenser.**  
Dimensions: 8 cm x 8 cm x (height) 15 cm

Finish: smooth, soft-touch effect.  
Capacity: approx. 300-400 ml.  
Description: includes pump and short nozzle;  
square body with rounded corners.

NCS S0502-B VR  
traffic white

**Balance® SAN toothbrush holder.**  
Dimensions: 8 cm x 8 cm x (height) 10 cm

Finish: matt, scratch-resistant.  
Dimensions: approx. 8 cm x 8 cm x 10 cm.  
Description: square with rounded edges;  
easy-clean interior.

NCS S0502-B VR  
traffic white

**Balance® SAN soap dish.**  
Dimensions: 13 cm x 8 cm x (height) 1.5 cm

Finish: matt, water-resistant.  
Dimensions: approx. 13 cm x 9 cm x 2 cm.  
Description: rectangular with rounded edges;  
slightly inclined flat bottom aids drainage.



Balance® SAN (styrene acrylonitrile) is a polymer often used to manufacture designer and home décor items due to its dimensional stability, scratch resistance and stylish appearance. This versatile material produces lightweight items with a matt finish. Its uniform colour and surface finish make it ideal for contemporary, minimalist objects.



Please scan the QR code  
for more details about  
Balance® products.

WHEN FURNISHING THE WORKPLACE, WE NEED TO STRIKE THE RIGHT BALANCE BETWEEN FUNCTIONALITY, FLEXIBILITY AND PERSONAL WELLBEING. OFFICES ARE TRANSFORMED INTO DYNAMIC, OPEN SPACES, PLACES WHERE ERGONOMICS AND DESIGN COMBINE TO BOOST PRODUCTIVITY WITHOUT NEGLECTING COMFORT. MORE ENVIRONMENTALLY SUSTAINABLE MATERIALS, SOPHISTICATED COLOURS AND MINIMALIST LINES CREATE A WELCOMING, PROFESSIONAL ATMOSPHERE WITH A HIGHLY CONTEMPORARY APPEARANCE.

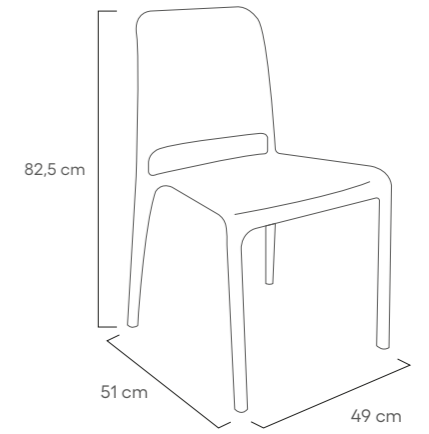


WORK  
SPACE

Our product range's versatile, high-performance solutions make it ideal when creating sophisticated settings in which to spend quality time. From stylish surfaces to ergonomic features, our products meet comfort and aesthetic requirements, making them ideal for those wishing to demonstrate a commitment to greater environmental sustainability, including through their furnishings.



**Style** PC+ABS chair



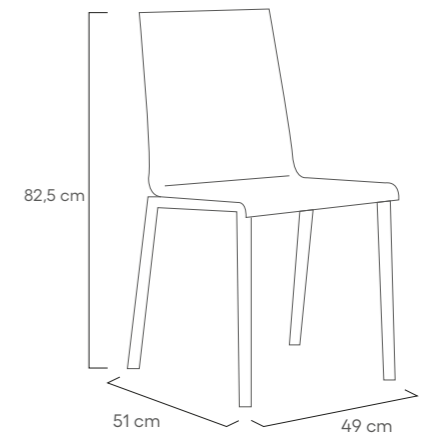
**Style** Versalis Balance® PC+ABS chair.



NCS S0502-B VR  
traffic white



NCS S0500-N VR  
pure white



**Nordic** Versalis Balance® PC+ABS chair.



NCS S0502-B VR  
traffic white



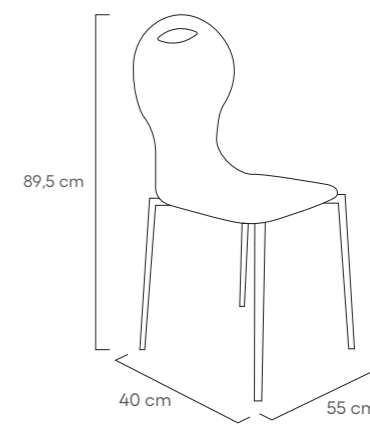
NCS S0500-N VR  
pure white



NCS S4000-N VR  
white aluminium



**Mattei** PC+ABS chair



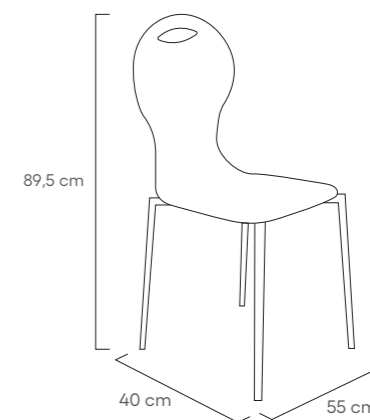
**Mattei Luxury** Versalis Balance® SAN+ABS chair with painted-steel frame.



NCS S0502-B VR  
traffic white



NCS S0500-N VR  
pure white



**Mattei** Versalis Balance® PC+ABS chair with painted-steel frame.



NCS S0502-B VR  
traffic white



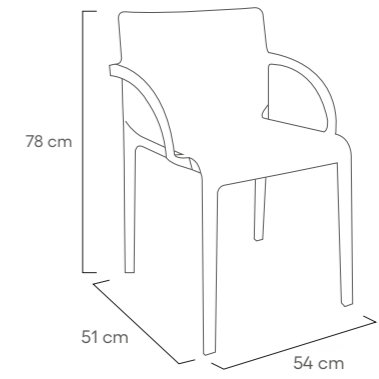
NCS S0500-N VR  
pure white



NCS S4000-N VR  
white aluminium



**New Style** PC+ABS chair



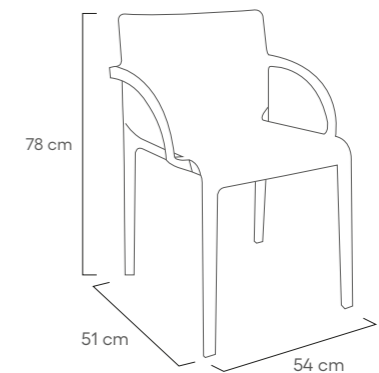
New **Style Versalis** Balance® PC+ABS outdoor chair.



NCS S0502-B VR traffic white



NCS S0500-N VR pure white



New **Style Versalis** Balance® flame-retardant ABS+PC thermoplastic outdoor chair.



NCS S0502-B VR traffic white



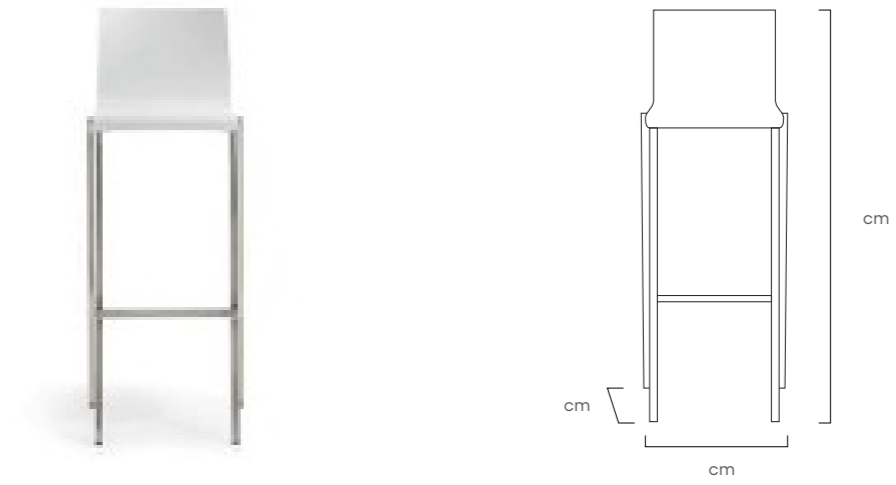
NCS S0500-N VR pure white



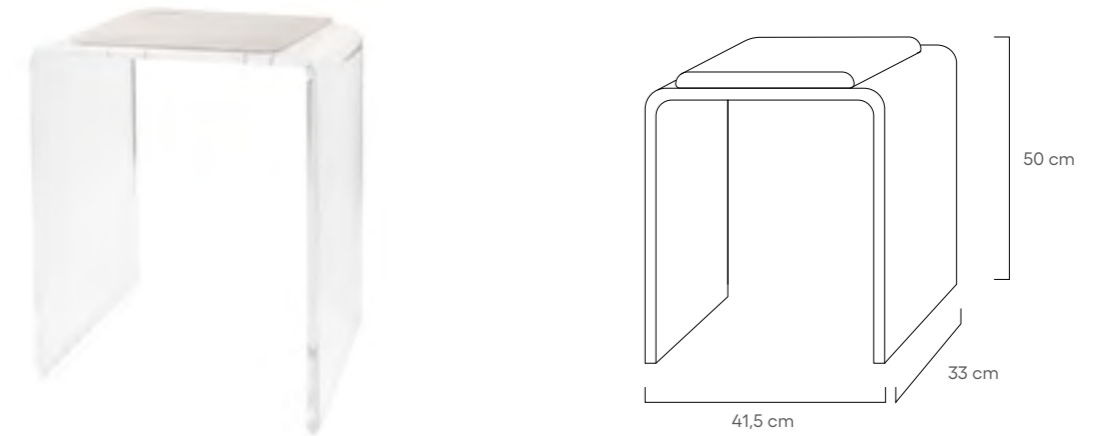
NCS S4000-N VR white aluminium



**Ravenna** Balance®  
ABS+SAN stool



**Mattei** Versalis Balance® ABS+SAN thermoplastic stool with painted-steel frame.

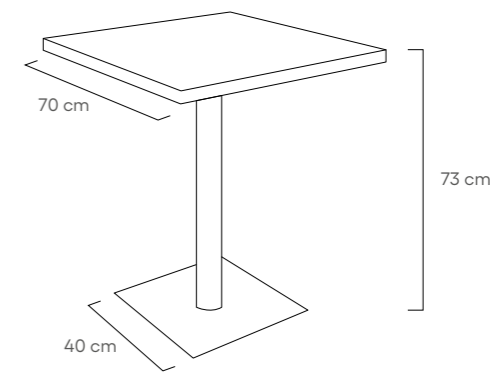


**Ravenna** Versalis Balance® SAN stool with EVA cushion.





**Mattei** square table with Balance®  
ABS+SAN top and edging



**Mattei** square 4 cm plywood table with Versalis Balance®  
ABS+SAN top and edging and satin-coated steel frame.

Dimensions: 70 cm x 70 cm x (height) 73 cm / Base 40 cm x 40 cm



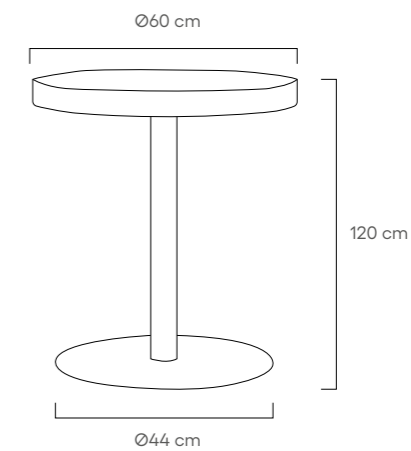
NCS S0502-B VR  
traffic white



NCS S0500-N VR  
pure white



NCS S4000-N VR  
white aluminium



**Mattei** round 4 cm plywood table with Versalis Balance®  
ABS+SAN top and edging and satin-coated steel frame.

Dimensions: diameter 60 cm x (height) 120 cm / Base diameter 44 cm



NCS S0502-B VR  
traffic white



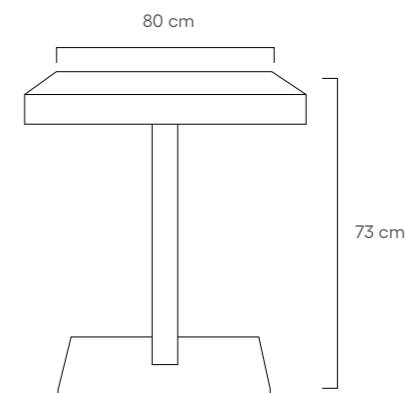
NCS S0500-N VR  
pure white



NCS S4000-N VR  
white aluminium



**Mattei** low table with Balance® ABS+SAN coating



**Monza** PP/Corian® thermoplastic outdoor table with satin-coated steel frame.

Dimensions: 80 cm x 80 cm x (height) 73 cm



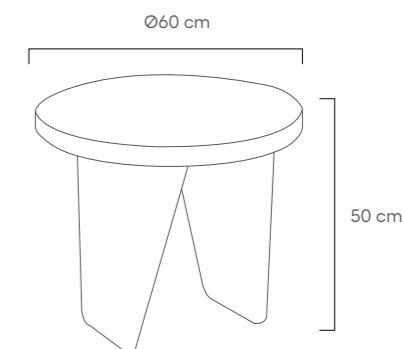
NCS S0502-B VR traffic white



NCS S0500-N VR pure white



NCS S4000-N VR white aluminium



**Mattei** low table having 3 cm wooden top coated in Versalis Balance® ABS+SAN and PMMA legs.

Dimensions: diameter 60 cm, height 50 cm



NCS S0502-B VR traffic white



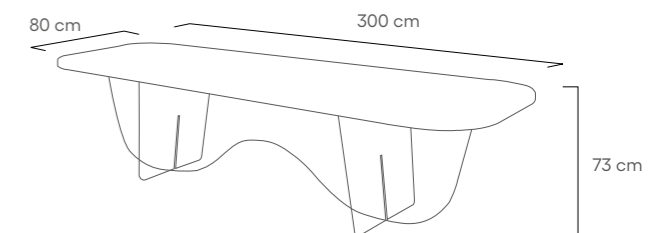
NCS S0500-N VR pure white



NCS S4000-N VR white aluminium



**Mattei** desk with Balance®  
ABS+SAN coating



**Mattei** table having 3 cm wooden top coated  
in Versalis Balance® ABS+SAN and PMMA legs.

Dimensions: 300 cm x 80 cm x (height) 73 cm



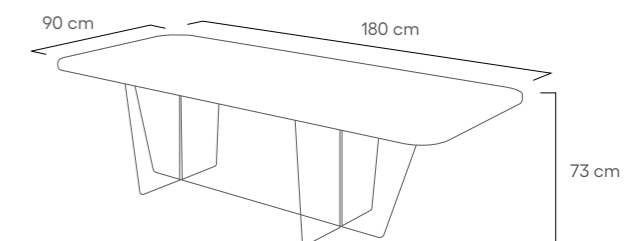
NCS S0502-B VR  
traffic white



NCS S0500-N VR  
pure white



NCS S4000-N VR  
white aluminium



**Mattei** desk having 4 cm wooden top coated  
in Versalis Balance® ABS+SAN and clear PMMA legs.

Dimensions: 180 cm x 90 cm x (height) 73 cm



NCS S0502-B VR  
traffic white



NCS S0500-N VR  
pure white



NCS S4000-N VR  
white aluminium

# Reup<sup>®</sup>

Reimagine. Renew. ReUp.



versalis

Piazza Boldrini, 1  
20097 San Donato Milanese (MI), Italy  
A subsidiary of Eni S.p.A.

[www.versalis.eni.com](http://www.versalis.eni.com)



[info.reup@versalis.eni.com](mailto:info.reup@versalis.eni.com)